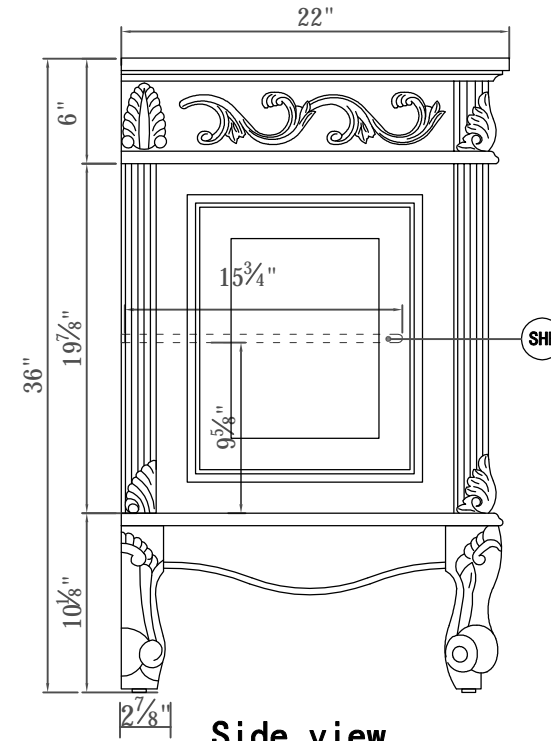
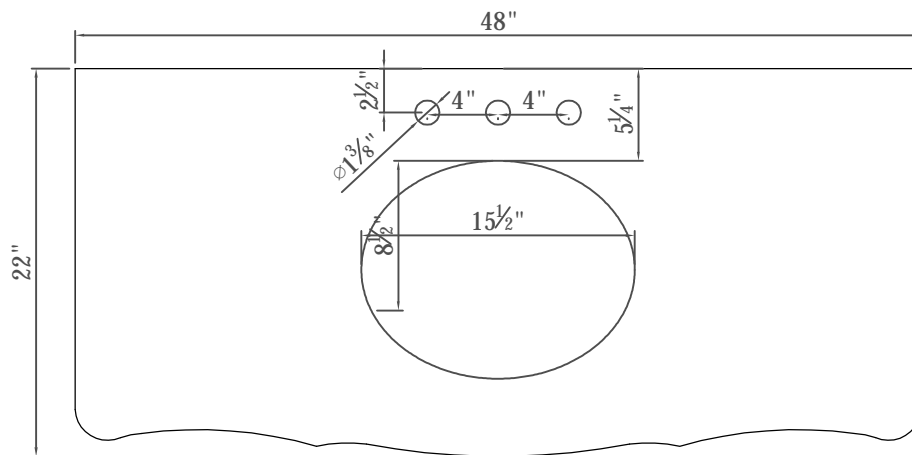


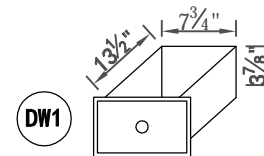
Front view



Side view



Top view



Drawer Interior Size

DWG. NO.

MODEL NO:
VF38848AW

SPEC NO:

QUANTITY:

DATE:

CHECKED BY:

FOR PROPOSAL ONLY ALL
DIMENSIONS TO BE VERIFIED

PROJECT:

COLOR:

FINISH:

REVISIONS

- 1
- 2
- 3
- 4
- 5
- 6

ELEGANT
FURNITURE & LIGHTING™

500-550 E. Erie Avenue

Philadelphia PA 19134

1-888-388-3390

| | | | | | | | | | |
|--|-----------------|----------------------------|---------------|------------------------------|---------------|------------------------------|-------------------------|------------------------|--------------------|
| Model # | VF38848AW | Finish | antique white | Mirror type | N/A | Beveled glass | N/A | Frame material | Solid wood and MDF |
| Solid wood construction | Solid wood legs | Drawers Included | yes | Number of Drawers | 6 | Joinery Type | SQUARE ENDED BUTT JOINT | Drawer railing | Metal |
| Drawer Width (in) | 9-3/4" | Drawer Depth (in) | 14" | Drawer Height (in) | 5-7/8" | Shelves | Yes | Number of Shelves | 1 |
| Doors included | Yes | Number of Doors | 2 | Finished Back | antique white | Hardware finish | Antique metal | Assembly | No |
| Countertop included | Yes | Countertop material | Marble | Number of Sinks accommodated | 1 | Sink material | Porcelain | Sink Width | 15.5 |
| Sink Depth | 12-3/8" | Sink height | 7 | Sink hole size | 1.75 | Mounting type | Undermount | Backsplash | No |
| Backsplash Width | N/A | Backsplash Depth | N/A | Backsplash Height | N/A | Drain assembly included | NO | Faucet included | NO |
| Faucet type | NO | Faucet hole size | 1.5 | Faucet hole spacing | 8"3 Holes | Product Width | 48 | Product Depth | 22 |
| Product Height | 36 | Package LENGTH (inches) | 51.5 | Package WIDTH (inches) | 25.5 | Package Height (inches) | 41.25 | Package Weight (lbs) | 194.3 |
| Product Weight | 194.3 | Shipment Type | LTL | Table/Desk: top width | 22" | Table/Desk top finish | White | glass top tempered | N/A |
| table top maximum weight | 66 lbs | Table: seating capacity | 1 | upholstery color | N/A | upholstery pattern | N/A | cushion material | N/A |
| base finish | antique white | powder coated finish | NO | base material | MDF | top material | Marble | wood species | Rubberwood |
| tip over restraint strap | NO | shape of top | Rectangle | lift top | NO | shelf material | MDF | adjustable shelves | Yes |
| Drawer Handle designs | Knobs | safety stop | NO | felt lined drawers | NO | drawer glide extension | Full extension | drawer glide material | Metal |
| drawer dividers | NO | Drawer Interior finish | antique white | Ball Bearing Glides | NO | soft close drawer glides | NO | Number of cabinets | 1 |
| shelf width (in) | 19-1/2" | shelf depth (in) | 15-3/4" | shelf height (in) | 9-5/8" | Shelf thickness | 1/2" | Any certification? | NO |
| California Proposition 65 warning required | YES | Drawer Interior Width (in) | 7-3/4" | Drawer Interior Depth (in) | 13-1/2" | Drawers Interior Height (in) | 3-7/8" | cabinet interior width | 19-1/2" |
| cabinet interior depth | 15-3/4" | cabinet interior height | 19-5/8" | leg width | 2-7/8" | leg depth | 2-7/8" | leg height | 10-1/8" |
| gloss finish | NO | stackable | NO | leg design | Cabriole legs | Armoires: ring slots | N/A | Armoires: hooks | N/A |
| armoires: mirror dimensions | N/A | door thickness | 7/8" | false drawers? | NO | Vanity countertop edge style | ogee | # of faucet holes | 3 |

DWG. NO.

MODEL NO:
VF38848AW

SPEC NO:

QUANTITY:

DATE:

CHECKED BY:

FOR PROPOSAL ONLY ALL DIMENSIONS TO BE VERIFIED

PROJECT:

COLOR:

FINISH:

REVISIONS

①

②

③

④

⑤

⑥

 ELEGANT
FURNITURE & LIGHTING™

500-550 E. Erie Avenue
Philadelphia PA 19134
1-888-388-3390